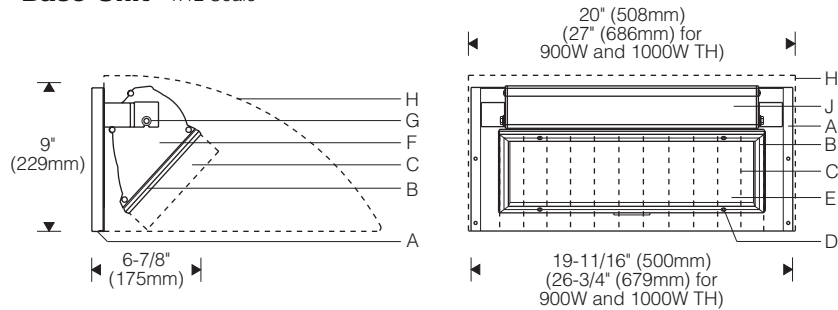
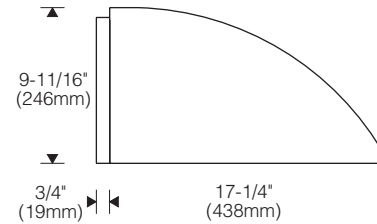


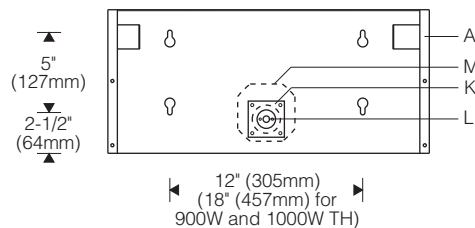
Base Unit 1:12 Scale



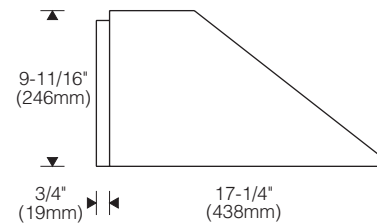
OLB Enclosure



Mounting Plate



OLA Enclosure



Specifications

- | | | | |
|---|--|--|---|
| A Aluminum yoke/mounting plate | D Tamper-resistant captive door screws | G Beveled spring washers | K Splice access cover with silicone gasket |
| B Mitred extruded aluminum door frame with silicone gasket | E Clear, flat, thermal and impact resistant tempered glass lens | H Stainless steel sconce enclosure (ordered separately) | L Flush watertight cord entry |
| C Accessory vertical blade cross baffle (black) | F Aluminum end plates | J Specular extruded aluminum reflector | M Recessed outlet box (by others) |

Finish:

Exterior of base luminaire and mounting plate finished semi-gloss black. Enclosure finish specified separately.

Painted surfaces – 6 stage pretreatment and electrostatically applied thermoset polyester powder coating for a durable abrasion, fade and corrosion resistant finish.

Reflector and internal end plates – extruded high purity aluminum with clear anodized specular finish. All hardware and components – non-corrosive stainless steel or aluminum. Door secured with captive tamper-resistant (#10 Torx) screws in stainless steel threaded reflector inserts to prevent seizing.

Enclosure (ordered separately):

Seam welded, ground smooth stainless steel with rolled edges to eliminate "oil canning." Brushed finish or thermoset polyester powder coat in choice of colors (see ordering information). Attaches to base unit forming a black reveal at the wall to delineate the form.

Mounting:

Yoke/mounting plate fastens to suitable structure over recessed outlet box, and supports enclosure.

Electrical:

Use 90°C wire for supply connections.

Tungsten halogen – recessed single contact (RSC) lampholders in patented clamping supports for maximum heat dissipation.

Metal halide – mogul lampholder is pulse rated for use with either horizontal or universal position lamp reduced envelope pulse start lamps. End-of-lamp aligner ensures consistent optical performance, minimizes damage from shock or vibration.

Ballast – remote HPF constant wattage autotransformer (CWA), or electronic, each rated for -20°F/-29°C starting. Weatherproof aluminum enclosure (Style 153) includes three 7/8" diameter entries and one 3/8" liquidtight conduit connector. Ballast suitable for dry indoor location. For wet location ballast, consult local sales representative.

For complete ballast specifications, see Accessories Section.

Standard:

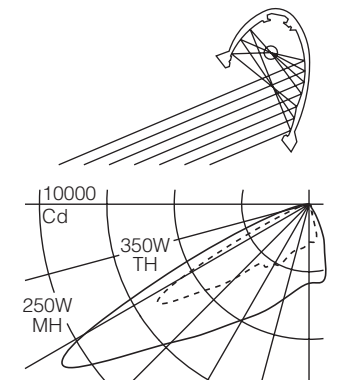
UL listed or CSA certified for wet locations.

Features

- Crisp geometric sconce enclosures in brushed stainless steel or thermoset polyester powder coat
- Compact yet powerful – up to 1000W halogen, 400W MH
- Precured silicone gaskets, thermal and impact resistant lens – seal out dirt and moisture, maintain performance
- Non-corrosive – aluminum and stainless steel construction

Performance

Two parabolic reflector sections drive light across the ground plane from one edge. An elliptical section redirects its light to a parabola and shields the lamp. Asymmetry is maximized resulting in high beam efficiency and superior surface uniformity. Fast "runback" minimizes wasted spill and trespass light. Wide lateral distribution permits greater spacings.



For complete photometrics, visit thelightingquotient.com



To Order

Ensconce® Style 453

To form a Catalog Number

4
5
3
-
W
-
0
8
-
-
-

1
2
3
4
5
6
7
8

1 Source

M = Metal halide
T = Tungsten halogen

2 Style


453 = Large outdoor **Ensconce®** base unit, **remote** ballast
Note: Remote ballast is suitable for dry indoor location.
 For wet location ballast, consult local sales representative.

3 Lamp

Lamp Code	Wattage	Lamp Number	Voltages	Remote Distance
-----------	---------	-------------	----------	-----------------

Ceramic Arc Tube Pulse Start Metal Halide (90+ CRI) 

210C	210	CDM210/T9/930/U/E	2, U	30' (9m)
315C	315	CDM315/T9/930/U/E	2, U	30' (9m)

Ceramic Arc Tube Pulse Start Metal Halide (80+ CRI)* 

150G	150	CDM150/T6/830	1, 2	15' (4.5m)
			T, U	5' (1.5m)
250C	250	CMH250/U/830/R	A, B	50' (15m)
400C	400	CMH400/U/830/R	A, B	50' (15m)

Quartz Arc Tube Pulse Start Metal Halide (68 CRI)* 

250P	250	MS 250W/H75/T15/PS/740	A, B	50' (15m)
			2, U	16' (4.8m)
320P	320	MS 320W/H75/T15/S/PS/740	A, B	50' (15m)
			2, U	16' (4.8m)
350P	350	MS 350W/H75/T15/PS/740	A, B	50' (15m)
			2, U	16' (4.8m)

Tungsten Halogen 

0300	300	Q300T3	A	
0350	350	Q350T3/CL/HIR	A	
0500	500	Q500T3	A	
0900	900	Q900T3/CL/HIR	B, G	
1000	1000	Q1000T3	F, G	

For complete lamp and ballast information, see Accessories Section.
 * Use only clear metal halide horizontal or universal position lamp with compact envelope. Standard lamp colors are 3000K for Ceramic Arc Tube Pulse Start lamps and 4000K for Quartz Arc Tube Pulse Metal Halide lamps.

Project: _____

4 Mounting

W = Yoke/mounting plate for attachment over recessed outlet box. Wall mounting only.

5 Finish

08 = Semi-gloss black (base luminaire)
Note: Specify enclosure finish separately.

6 Voltage/Ballast

Electronic (Metal Halide only):

1 = 120V
2 = 277V
T = 120V dim*
U = 208-277V dim*

Magnetic and Tungsten Halogen:

A = 120V
B = 277V
F = 220V (TH)
G = 240V (TH)

*100-50% dimming, 0-10V compatible controls by others.
 Consult factory for dimming the 210W lamp.

7 Option (see Accessories Section for specifications)

00 = No options
0R = Halogen standby lamp with relay field connected at remote ballast. 100W maximum (lamp included).
TL = Micro-prismatic tempered glass lens (replaces clear, flat lens, offers smoother light pattern at reduced peak candlepower).
XX = For modification not listed, include detailed description. Consult factory prior to specification.

8 Destination Requirement

0 = UL listed or CSA certified for U.S.
J = UL listed or CSA certified for Canada

Example

M453 - 250C - W - 08 - B - 00J

Large outdoor **Ensconce®** base unit for use with 250 watt ceramic arc tube pulse start metal halide lamp. Yoke/mounting plate for attachment to suitable structure over recessed outlet box. Semi-gloss black powder coat finish. Remote 277V ballast suitable for dry indoor location. UL listed or CSA certified for Canada.

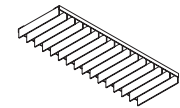
Order enclosure separately.

Type: _____

Accessories

Order separately. See Accessories Section for specifications.

AE V 0D0 = External vertical blade **baffle**, black, for lengthwise shielding
 |
 2 = 25° shielding
 4 = 45°
D = 300W-500W TH; 150W-400W MH
F = 900W and 1000W TH



AFK000X = Ballast fuse kit
 |
 0 = U.S.
 J = Canada



Enclosures

Order separately. Mounts to base unit yoke/mounting plate.

OLB 00
 |
 D = 300-500W TH; 150W-400W MH
 F = 900W and 1000W TH

A Finish



OLA 00
 |
 D = 300-500W TH; 150W-400W MH
 F = 900W and 1000W TH

A Finish



A Enclosure Finish

02 = Semi-gloss white
06 = Dark bronze
07 = Silver
08 = Semi-gloss black
12 = Green
14 = Brushed stainless steel
99 = Custom RAL or computer matched color to be specified, consult sales representative.