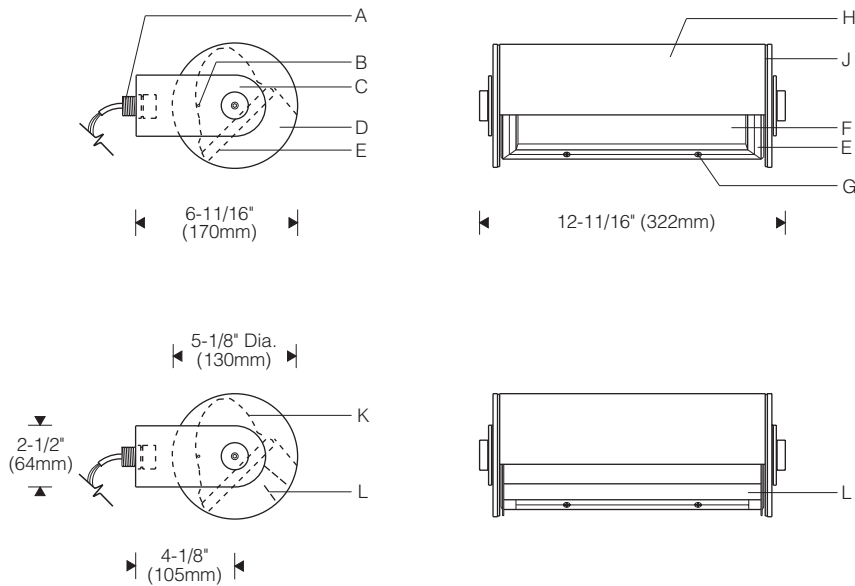


V Mount 1:8 Scale



Specifications

- | | | | |
|------------------------------------|--|--|--|
| A 1/2" NPT nipple | E Mitred extruded aluminum door frame with silicone gasket | G Tamper-resistant captive door screws | K Specular extruded aluminum reflector |
| B Locking set screw | F Micro-prismatic, thermal and impact resistant tempered glass lens | H Extruded aluminum cylindrical housing | L Optional horizontal radial blade baffle (black) |
| C Aluminum yoke | | J Aluminum reveal plates (black) | |
| D 3/16" aluminum end plates | | | |

Features

- Rugged extruded aluminum cylinder with 3/16" end plates houses the rigid reflector – no exposed fasteners
- Superior asymmetric distribution – maximum peak candlepower with fast "runback"; minimizes spill or trespass light
- Round end plates – consistent profile regardless of aiming
- Compact yet powerful – up to 250W halogen, 150W MH



Finish:

Exterior surfaces – 6 stage pretreatment and electrostatically applied thermoset polyester powder coating for a durable abrasion, fade and corrosion resistant finish. Choice of semi-gloss colors (see ordering information).

Reflector – extruded high purity aluminum with clear anodized specular finish. All hardware and components – non-corrosive stainless steel or aluminum. Door secured with captive tamper-resistant (#10 Torx) screws in stainless steel threaded reflector inserts to prevent seizing. Yoke attaches with recessed hex socket screws.

Mounting:

1/2" NPT nipple (wet location outlet box or fitting by others). Accessory slipfitter (ordered separately) for 2-3/8" O.D. pole, tenon or rigid conduit (by others). Side-mount for single or double (back-to-back) units, specify **X** mount.

Electrical:

Use 90°C wire for supply connections. Leads exit reflector through watertight flush cord entry and silicone coated fiberglass sleeving with 8" (.2m) exposed beyond nipple. 60" (1.5m) leads for **X** mount.

Tungsten halogen – recessed single contact (RSC) or DC bayonet lampholders retained with patented clamping supports for maximum heat dissipation.

Metal halide – G12 lampholder for use with single ended lamp. Remote high reactance autotransformer ballast (-20°F/-30°C starting) or electronic ballast (5°F/-15°C starting). Die-cast aluminum weatherproof ballast enclosure includes four 1/2" NPT threaded entries. Electronic ballast provides improved voltage regulation, energy savings and automatic shut-off feature to eliminate end-of-life lamp cycling. Optional remote ballast for dry indoor location.

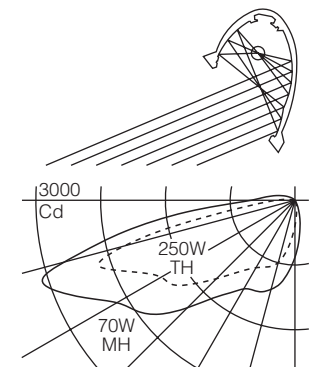
For complete ballast specifications, see Accessories Section.

Standard:

UL listed or CSA certified for wet locations.

Performance

Two parabolic reflector sections drive light across the ground plane from one edge. An elliptical section redirects its light to a parabola and shields the lamp. Asymmetry is maximized resulting in high beam efficiency and superior surface uniformity. Fast "runback" minimizes wasted spill and trespass light. Wide lateral distribution permits greater spacings.



For complete photometrics, visit thelightingquotient.com

