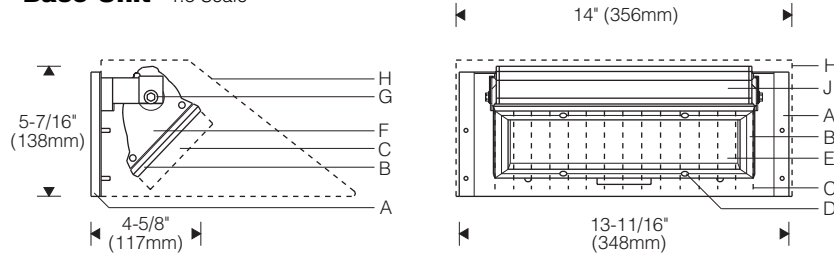
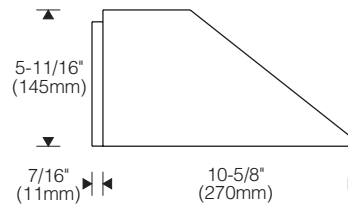


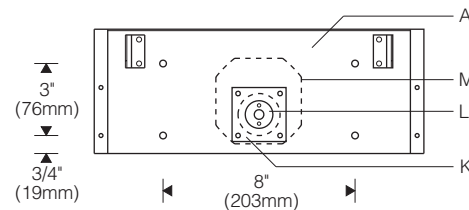
**Base Unit** 1:8 Scale



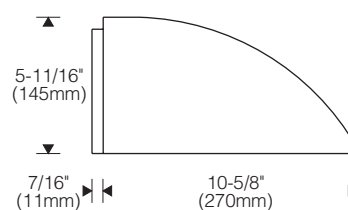
**OSA Enclosure**



**Mounting Plate**



**OSB Enclosure**



**Specifications**

- |   |  |  |   |
|---|--|--|---|
| <b>A</b> Aluminum yoke/mounting plate                             | <b>D</b> Tamper-resistant captive door screws                              | <b>G</b> Beveled spring washers                                | <b>K</b> Splice access cover with silicone gasket |
| <b>B</b> Mitred extruded aluminum door frame with silicone gasket | <b>E</b> Micro-prismatic, thermal and impact resistant tempered glass lens | <b>H</b> Stainless steel sconce enclosure (ordered separately) | <b>L</b> Flush watertight cord entry              |
| <b>C</b> Accessory vertical blade cross baffle (black)            | <b>F</b> Aluminum end plates   | <b>J</b> Specular extruded aluminum reflector                  | <b>M</b> Recessed outlet box (by others)          |

**Finish:**

Exterior of base luminaire and mounting plate finished semi-gloss black. Enclosure finish specified separately.

Painted surfaces – 6 stage pretreatment and electrostatically applied thermoset polyester powder coating for a durable abrasion, fade and corrosion resistant finish.

Reflector – extruded high purity aluminum with clear anodized specular finish. All hardware and components – non-corrosive stainless steel or aluminum. Door secured with captive tamper-resistant (#10 Torx) screws in stainless steel threaded reflector inserts to prevent seizing.

**Enclosure** (ordered separately):

Seam welded, ground smooth stainless steel with rolled edges to eliminate "oil canning." Brushed finish or thermoset polyester powder coat in choice of colors (see ordering information). Attaches to base unit forming a black reveal at the wall to delineate the form.

**Mounting:**

Yoke/mounting plate fastens to suitable structure over recessed outlet box, and supports enclosure.

**Electrical:**

Use 90°C wire for supply connections. Leads exit reflector and enter recessed outlet box through watertight flush cord entries and silicone coated fiberglass sleeving with 8" (.2m) exposed beyond mounting plate.

Tungsten halogen – recessed single contact (RSC) or DC bayonet lampholders retained with patented clamping supports for maximum heat dissipation.

Metal halide – G12 lampholder for use with single ended lamp. Remote indoor encapsulated high reactance autotransformer ballast for 35W and 70W (-20°F/-30°C starting) or electronic ballast for 35W, 70W and 150W (5°F/-15°C starting). Electronic ballast provides improved voltage regulation, energy savings and automatic shut-off feature to eliminate end-of-life lamp cycling. For remote wet location ballast, consult local sales representative.

For complete ballast specifications, see Accessories Section.

**Standard:**

UL listed or CSA certified for wet locations.

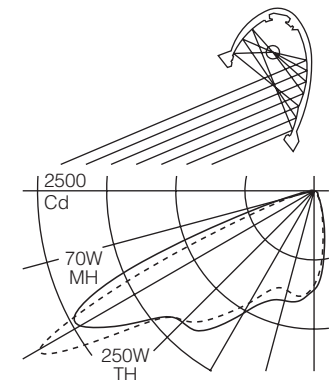
**Features**

- Crisp geometric sconce enclosures in brushed stainless steel or thermoset polyester powder coat
- Compact yet powerful – up to 150W MH, 250W halogen
- Precured silicone gaskets, thermal and impact resistant lens – seal out dirt and moisture, maintain performance
- Non-corrosive – aluminum and stainless steel construction



**Performance**

Two parabolic reflector sections drive light across the ground plane from one edge. An elliptical section redirects its light to a parabola and shields the lamp. Asymmetry is maximized resulting in high beam efficiency and superior surface uniformity. Fast "runback" minimizes wasted spill and trespass light. Wide lateral distribution permits greater spacings.



For complete photometrics, visit [thelightingquotient.com](http://thelightingquotient.com)



To form a Catalog Number

4
5
1
-
W
-
0
8
-
-
-

1
2
3
4
5
6
7
8

**1 Source**

M = Metal halide  
T = Tungsten halogen

**2 Style**

451 = Small outdoor Ensconce® base unit, remote ballast  
**Note:** Remote ballast is suitable for dry indoor location. For wet location ballast, consult local sales representative.

**3 Lamp**

Lamp Code	Wattage	Lamp Number	Voltages	Remote Distance
Ceramic Arc Tube Pulse Start Metal Halide (80+ CRI)				
035G	35	CDM35/T6/830	1, 2	15' (4.5m)
			A, B	10' (3m)
070G	70	CDM70/T6/830	1, 2	15' (4.5m)
			A, B	20' (6m)
150G	150	CDM150/T6/830	1, 2	15' (4.5m)
Tungsten Halogen				
0100	100	Q100DC	A	
0150	150	Q150DC	A	
0200	200	Q200T3	A	
0250	250	Q250DC	A	

For complete lamp and ballast information, see Accessories Section.  
 \* Standard lamp color is 3000K/80+ CRI.

**4 Mounting**

W = Yoke/mounting plate for attachment over recessed outlet box. Wall mounting only.

**5 Finish**

08 = Semi-gloss black (base luminaire)  
**Note:** Specify enclosure finish separately.

Project:

**6 Voltage/Ballast**

Electronic                      Magnetic\*  
 1 = 120V                      A = 120V  
 2 = 277V                      B = 277V  
 \*35W or 70W Metal Halide or Tungsten Halogen (120V)

**7 Option** (See Accessories Section for specifications)

00 = No options  
 0H = Long distance remote metal halide ballast (encapsulated magnetic ballast for 35 and 70W only), 35W: 15' min. up to 50' max. (4.5m - 15m), 70W: up to 50' max. (15m)  
 0R = Halogen standby lamp with relay field connected at remote ballast. Lamp included (wattage varies).  
 XX = For modification not listed, include detailed description. Consult factory prior to specification.

**8 Destination Requirement**

0 = UL listed or CSA certified for U.S.  
 J = UL listed or CSA certified for Canada

**Example**

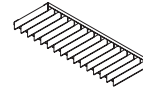
M451 - 070G - W - 08 - B - 00J

Small outdoor Ensconce® base unit for use with 70 watt metal halide lamp. Yoke/mounting plate for attachment over recessed outlet box. Semi-gloss black powder coat finish. Remote 277V ballast suitable for dry indoor location. UL listed or CSA certified for Canada.  
 Order enclosure separately.

**Accessories**

Order separately. See Accessories Section for specifications.

AEBV 0D0 = External vertical blade baffle, black, for lengthwise shielding  
 2 = 25° shielding  
 4 = 45°



AFK000X    = Ballast fuse kit  
 0 = U.S.  
 J = Canada



Type:

**Enclosures**

Order separately. Mounts to base unit yoke/mounting plate.

OSA   000  
**A Finish**



OSB   000  
**A Finish**



**A Enclosure Finish**

02 = Semi-gloss white                      14 = Brushed stainless steel  
 06 = Dark bronze                      99 = Custom RAL or computer matched color to be specified, consult sales representative.  
 07 = Silver  
 08 = Semi-gloss black  
 12 = Green