

Style T429  
1000W halogen  
uplights on  
custom quad  
pendant



**Architect:** Francis Cauffman Foley Hoffman  
(original architect); AJSA (renovation architect).

**Lighting Design:** HK Lighting Design

**Photography:** Matt Wargo

**Sanctuary**

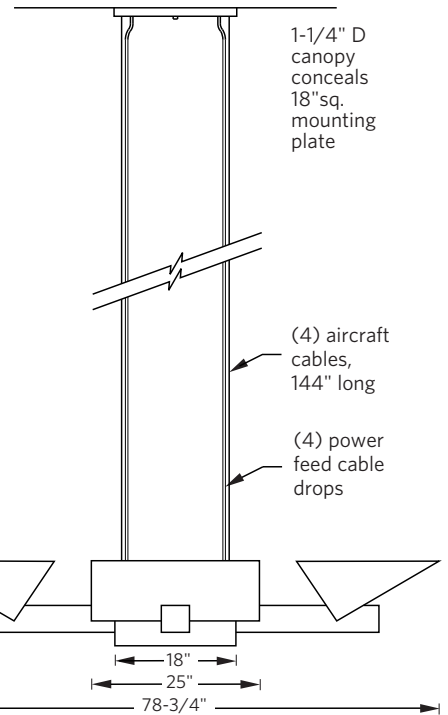
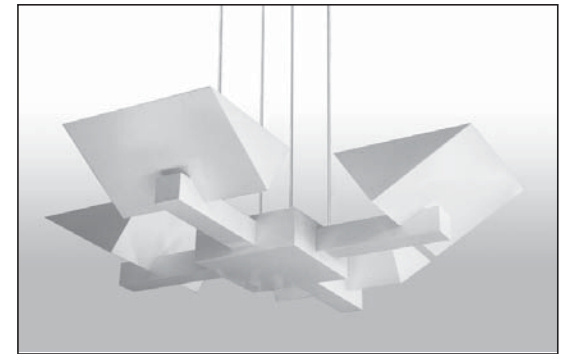
Space: 37' x 37' in plan, 26' to vault spring-line, 45' to apex  
Lighting: (16) T429-1000-W-02-A-XX0 on (4) custom "quad"  
pendants with 12' aircraft cable suspension  
Estimated ceiling illuminance: 50 fc avg. initial  
Estimated pew illuminance: 20 fc avg. initial

# elliptipar Style T429 FLIGHT

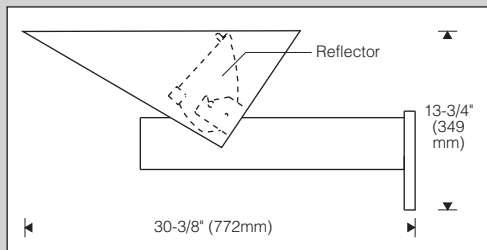
When design requirements call for something special, **elliptipar** can provide customized solutions with superior asymmetric performance.

Angular **Flight Style T429** units compliment forms found in the rosette window. Custom support assemblies with modified base fixtures create a series of pendants uniquely scaled to the space.

Four aircraft cables with parallel power cord drops anchor each pendant's core. Custom color canopies that match the golden ceiling reveals conceal the pendant mounting plates. 1000W halogen lamps allow full-range dimming with conventional 120V controls.



In addition to 300 to 1000W halogen, **Style M429** is available in 175 through 2x400W metal halide with remote ballast(s).



Integral ballast **Style M425** utilizes 70 and 150W ceramic metal halide lamps. **Style T427** accepts 100 to 350W halogen.

